

## MASTER 30 Horizontal Batch Freezer

The horizontal batch freezers called MASTER is the new latest product introduced in our range. It is a professionally advanced and user-friendly machine with appealing looking, allowing gelato chefs reach their target.

Free-standing machine for medium large specific needs for gelato chefs. Designed for those who desire to open a gelato shop.

### Refrigeration

Equipped with hermetic compressor: 5200BTU/hr R404A France Tecumseh, a full copper custom condenser, has a strong cooling effect.

### Temperature/Humidity

The ranges of MASTER are available with air cooling with R404A gas refrigeration and climatic class °C/RH%, TEMPERATURE 40°C, HUMIDITY 60%.

### Defrosting

In case of freezing defrost mode allows to re-start production very quickly.

### Display

User-friendly touchscreen display, 3 automatic programs and manual mode.

### Auto-induction

When we choose fast gelato program, we can make small quantity of gelato.

### Exterior

Designed and produced by ourselves, the quality is guaranteed; The evaporator freezing cylinder is integrated, and the cooling effect is good; The cylinder block is 304 stainless steel.

### Cleaning function

The device has a faucet for easy cleaning.

## Company Introduction

Qingdao Easy Best Refrigeration Equipment Co., Ltd. funded by Easy Best International Holdings Ltd. in China in 2005, a wholly Italian owned subsidiary, Is a manufacturer of Gelato refrigeration equipment.

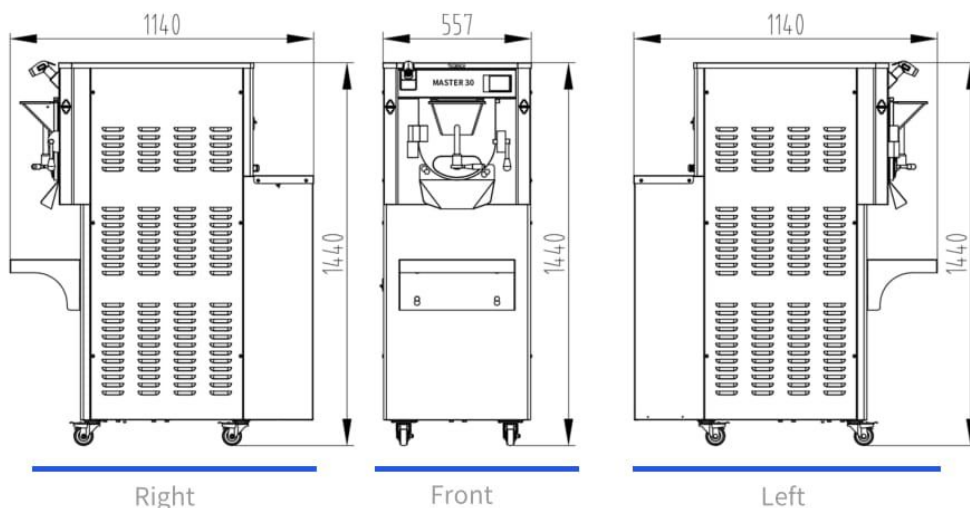
Our key products are Gelato machinery equipment and soft gelato machines, full range of refrigeration equipment which focus on medium to high-end markets.

We use Italian and European advanced technologies and imported compressors from Europe, we devote ourselves to the customers with our professional solutions and services.



# MASTER 30

## Horizontal Batch Freezer



### Basic parameters

Height	1440 mm
Width	557 mm
Depth	1140 mm
N.W.	250 Kg
G.W.	290 Kg
Capacity	15 L
Input	2.5 L-7.5 L
Hourly Production	25 L-30 L

\*Ingredients temperature 4°C  
 \*Environment temperature 40°C  
 \*With air cooling system

### Electrical specifications

Voltage	380 V-400 V
Frequency	50 Hz
Standard Power	4.1 Kw
Circuit breaker	63 A
Toal amps	11 A

### Water pipe connection

<b>Air cooling</b> (Water in)	
Fitting	3/4 " (22mm) Ø

## Company Introduction

Qingdao Easy Best Refrigeration Equipment Co., Ltd. funded by Easy Best International Holdings Ltd. in China in 2005, a wholly Italian owned subsidiary, Is a manufacturer of Gelato refrigeration equipment.

Our key products are Gelato machinery equipment and soft gelato machines, full range of refrigeration equipment which focus on medium to high-end markets.

We use Italian and European advanced technologies and imported compressors from Europe, we devote ourselves to the customers with our professional solutions and services.

